



Breeding Profitable Sheep for Ireland – LambPlus®

Progress report – Interim
Sheep Board

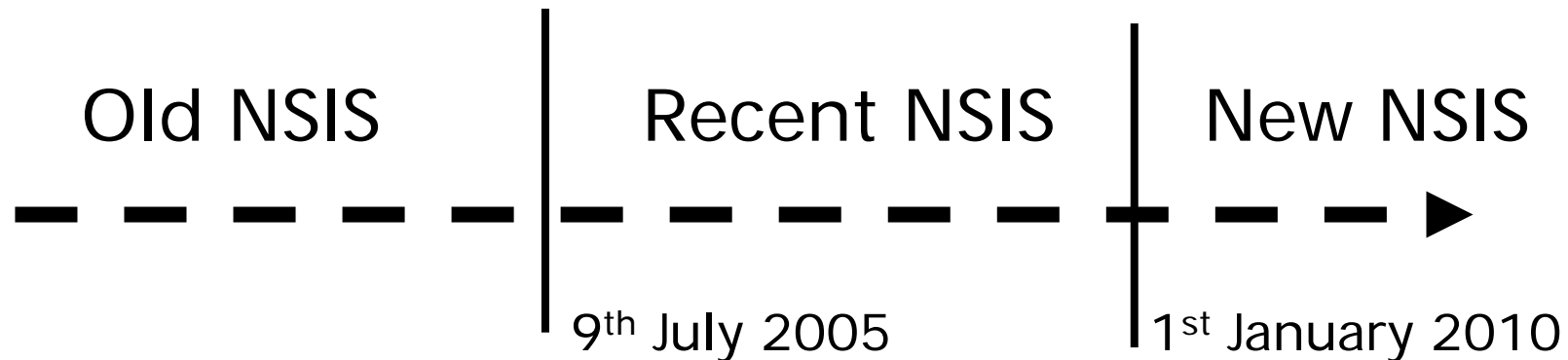
27th May 2010

Overview

- Progress on 20 Recommendations:
 1. **Animal ID - System**
 2. Animal ID - Database
 3. **Data Rec. - EID**
 4. Data Rec. - Traits & Flex.
 5. Data Rec. - Rec. Criteria
 6. Data Rec. - Rec. Systems
 7. **Data Rec. - Data Capture**
 8. **Data Rec. - Genomics**
 9. Gen. Evaluations - Timing
 10. Gen. Evaluations - Report
 11. Breeding Schemes - CPT
 12. Breeding Schemes - MALP
 13. Breeding Schemes - CPT & MALP
 14. Breeding Schemes - CPT Location
 15. Breeding Schemes - MALP Operation
 16. Impact of Gen.Eval Scheme
 17. Support Structure
 18. Structure - Processors
 19. Structure - Pedigree Breeders
 20. **Structure - Flock Books**

Sheep Identification

- Sheep now exist with 3 different NSIS Tag types.
- Recording Screens must accept the 3 formats.



- Within Flock 'Tattoo' numbering system also ongoing



- 4 ID formats in total are in use for sheep in Ireland.

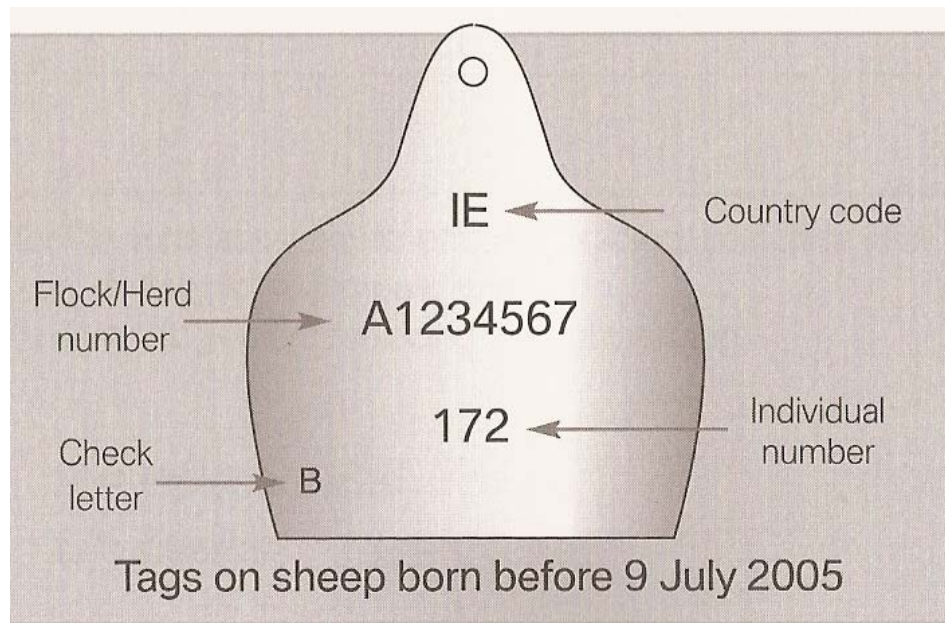
Sheep Identification

- **NSIS/EID Tag Issue**
 - New 'ID Master screen' to be developed to handle different types of ID:

Tattoo	Old NSIS	Recent NSIS	New NSIS
GHT4598	IEA1234567 B 00172	IE2454839 8 24598	IE041234554321 C
	Length = 16	Length = 15	Length = 15

- New NSIS numbers have started to be received in Lambplus Office.
- New NSIS Tag Algorithm requested from DAF.

OLD NSIS



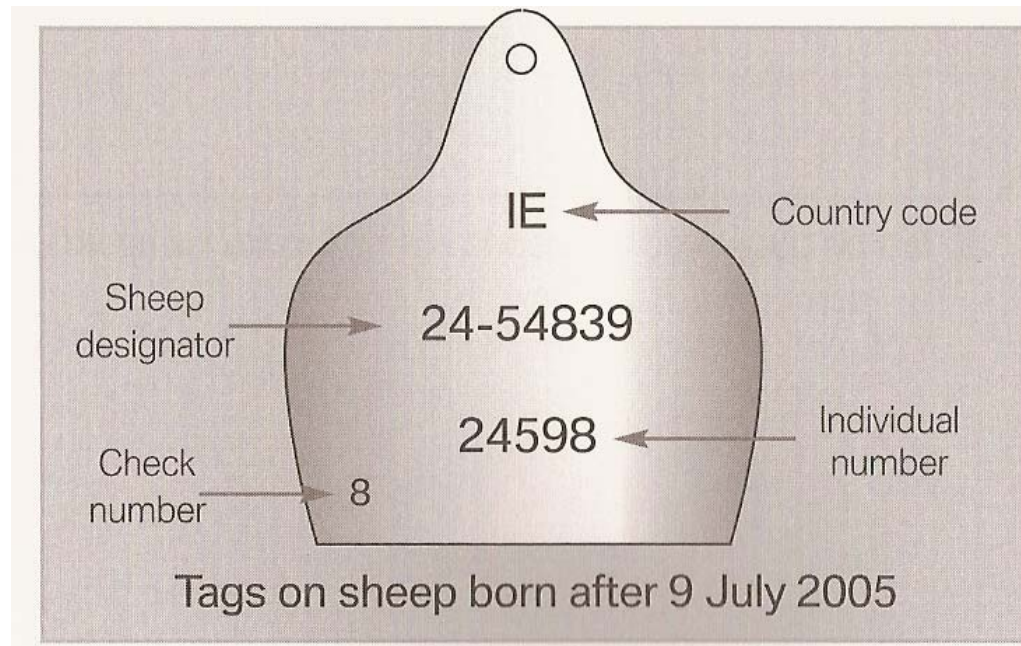
In Sheep Ear

IE A1234567 B 172

Recorded in Database

IE A1234567 B 00172

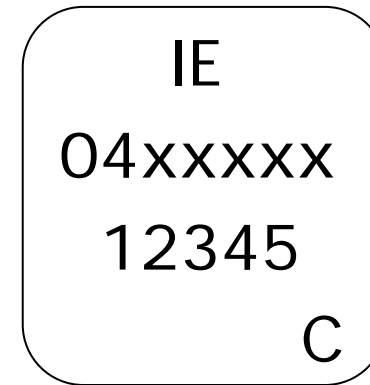
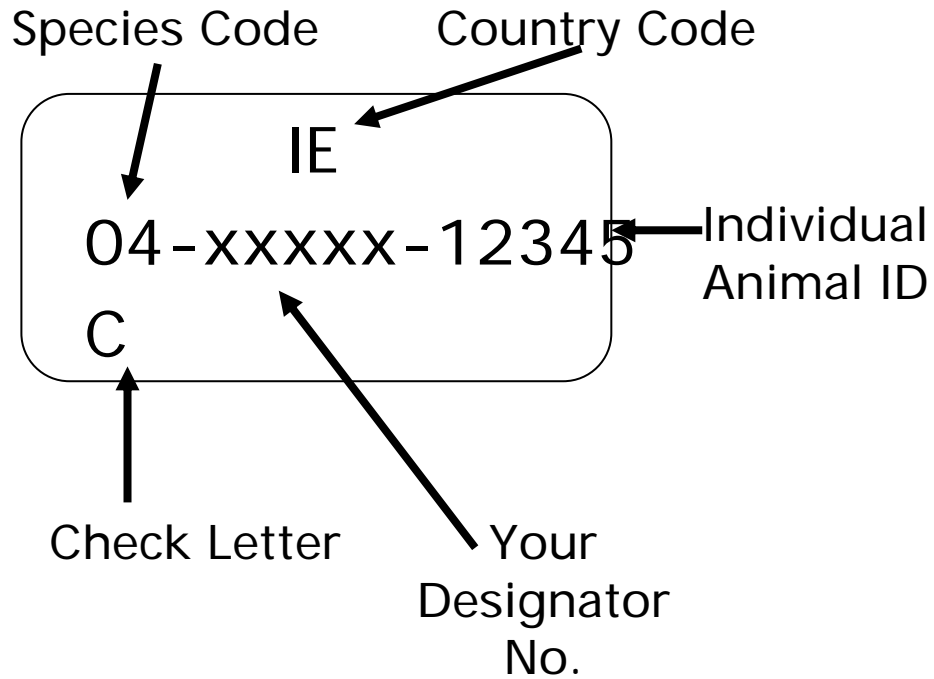
Recent NSIS



In Sheep Ear	IE	2454839	8	24598
Recorded in Database	IE	2454839	8	24598

New NSIS

- Examples of how number format can appear on EID tags



New NSIS Tag numbering system

IE All tags will continue to include Ireland's country code IE

First 2 digits species code which **will always be 04** for sheep & goats

Next 5 digits **will always be** your new sheep/goat designator number which is unique to your holding unless you are buying a specific replacement tag for an animal born on another holding

Final 5 digits the individual tag number of the animal

Check Letter Tags will also include a check letter which is a security measure which can be used to verify the authenticity of any tag number



New EID Tag numbering system - Notes

1. One ID for life

- Animals will be tagged at the holding of birth and retain that ID for life. (In general, it will not be possible to re-tag an animal with a different ID once it leaves its holding of origin).
- All new & specific replacement sheep tags will be yellow.

2. Electronic Tagging

- On 31/12/09, the new sheep EID rules came into force. These rules will not apply to animals born before that date. (You don't have to use EID tags for lambs intended for slaughter under 12 months. All animals intended for slaughter before 12 months of age will need to be tagged in their left ear with a conventional tag by 9 months of age or upon leaving the holding of origin, whichever is sooner.)

New EID Tag numbering system - Notes

3. Replacement Breeding Stock

- Animals to be kept definitively for breeding must be:
- Double tagged by 9 months of age
- With a conventional tag in the left ear, bearing a 12 digit number , and either a ruminal bolus or an electronic tag in the right ear, bearing the identical 12 digit tag number on the conventional tag.

- In general both tags on a sheep fitted with an electronic tag will be yellow.

- The tag on a sheep fitted with a ruminal bolus will be light blue.

New EID Tag numbering system - Notes

4. Live Trade

- Sheep born after 1st January 2010 and engaged in intra-community trade or third country exports must be:
- Double tagged by 9 months of age
- With a conventional tag in the left ear, bearing a 12 digit number, and either a ruminal bolus or an electronic tag in the right ear, bearing the identical 12 digit tag number on the conventional tag.

New EID Tag numbering system - Notes

4. Live Trade

- Sheep purchased for export & not identified as above can be upgraded to EID status as follows:
 - a. A bespoke EID tag bearing the same number as the conventional mart tag already on the animal can be ordered by the exporter or
 - b. The sheep can be re-tagged with a new EID set & the new tag number correlated to the old number in the flock register of the exporter.

New EID Tag numbering system - Notes

5. Upgrading to EID

- Animals less than 12 months of age bought at marts & tagged with one conventional tag can be upgraded to double tagging with a specific EID tag if they are to be retained for breeding as follows:
 - a. A bespoke EID tag bearing the same number as the conventional mart tag already on the animal can be ordered or
 - b. The sheep can be re-tagged with a new EID set & the new tag number correlated to the old number in your flock register.

New EID Tag numbering system - Notes

6. Manual Records

- You don't have to use an electronic system beyond tagging. If you wish, records can continue to be kept manually. Conventional & EID tags will both have the country identifier, the 12 digit number & the check letter printed on them.

New EID Tag numbering system - Notes

7. Dispatch/Movement Documents

- Existing supplies of dispatch documents can be used for the moment (May 2010) & should be completed in the normal way when sheep are leaving the holding.
- Dispatch documents will be revised in the coming months when the changes to the NSIS are finalised & to include food chain information so as to cut down on paperwork. All farmers will be advised of this in due course.

New EID Tag numbering system - Notes

8. Current Stocks

- Current Stocks of tags can be used to identify sheep born in 2009 or for the purpose of identifying slaughter lambs under 12 months & not intended for export for a transitional period up to the end of the year.

7.Data Rec. – Data Capture

- **Handheld Units:**
- Being used on 4 CPT Flocks for 2010 Lambs & MALP Flocks – Spring 2010.

- **Data Capture:**
- Ancestry
- Lambing Difficulty, Birthweight & Fostering data
- Health Records – Mastitis etc
- Liveweight, Pregnancy Scanning, Footrot
- Week of Birth Spray codes, Culling Reasons

8.Data Rec. – Genomics

- **DNA Parentage Analysis**
- Parentage analysis of 2010 born MALP lambs underway.
- DNA of new rams in MALP flocks also collected.
- Genetic Evaluations to be run as soon as data is received.
- Results lists to be then sent out to MALP Flockowners.

20.Support Structure – Flockbooks

- Ancestry request explanatory letter sent.
- Ancestry only required for Genetic Evaluation & Research.
- Full Ancestry data loaded to database for Belclare Breed
- Breed Societies to confirm their positions following Council Meetings.
- Option 1: Provide Complete Ancestry Data as requested.
 - Resulting in Evaluations with Optimum Accuracy.
- Option 2: Provide Partial Ancestry Data (e.g.Lambplus Breeders Only)
 - Resulting in Evaluations with less than Optimum Accuracy.

20.Support Structure – Flockbooks

- Current Situation

<u>Breed</u>	<u>Back Ancestry Data Status</u>
--------------	----------------------------------

- | | |
|--------------|---------------------------------|
| • Belclare | Received & Loaded |
| • Charollais | Not Received |
| • Galway | Received |
| • Rouge | Received & Loaded |
| • Suffolk | Making Arrangemnants to receive |
| • Texel | Not Received |
| • Vendeen | Not Received |
- Breeds that share Back Ancestry for their entire Breed with Sheep Ireland will receive more accurate genetic evaluations than those who only have Ancestry from Lambplus Flocks included.

20.Support Structure – Flockbooks

- Sheep Ireland Evaluation Template being designed:
- Catalogues & Catalogue Inserts
- Ram Search Engine

Lot:1	Owner: John & Mary Flock, Bighill, Co.Tipperary		Scrapie Status: ARR/ARR					
Animal Details		Ancestry Details		€URO-STAR INDEXES				
Official Tag:	IE1110222702116			% Rank	Star Rating	Indexes	Index	Acc%
Tattoo:	BGL0125834	Sire's Sire:	Bighill Terry (IE8177132385123)	51	★★★	Overall Sheep Value	€3	38%
Animal Name:	Bighill Lenny	Sire's Dam:	Royal Cecilia (IE1432834023894)	35	★★	Lambing	€1.80	3%
Date of Birth:	01-Jan-10	Sire:	Bighill Frank (IE8177456372931)	82	★★★★★	Production	€0.80	10%
Breed:		Dam:	Bighill Sabina (IE8177456372931)	95	★★★★★	Maternal	€0.40	8%
Sex:	Male	Dam's Sire:	Mr Lancelot (IE8177456374431)	Other Key Traits				
Birth Type:	Twin	Dam's Dam:	Star Linda (IE8177455574431)	99	★★★★★	Days to Slaughter	-2.5 Days	5%
Dams Litter Rec:	122			78	★★★★★	Lamb Survival	8%	8%
Comment: First Prize winner at many Summer Shows								

Sheep 2010

- Sheep Breeding Stands will be on show to demonstrate the various methods being used in the Sheep Ireland Breeding Scheme.
- Lambplus
- MALP – Pratley demonstration
- AI - Innovis
- CPT – Genetic Evaluations of Rams used in the scheme will be displayed.
 - Progeny of selection of rams, across breeds, will be on show.

